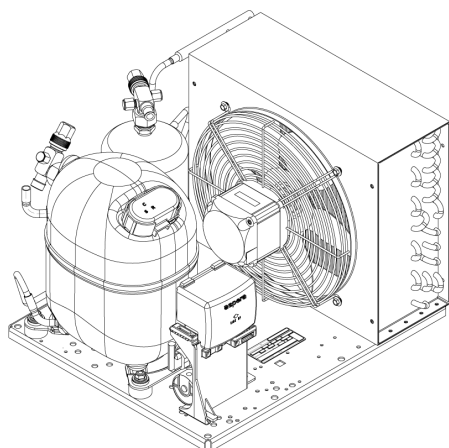


MODEL UNJ2212GK

CODE 643TA5610AA

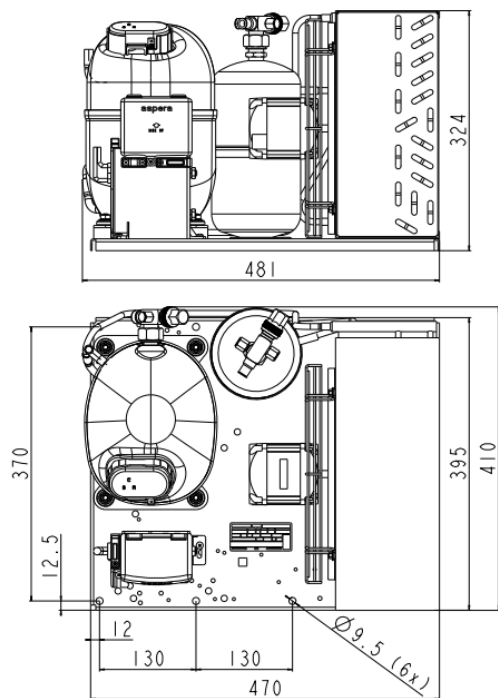
embraco POWER IN. CHANGE ON.



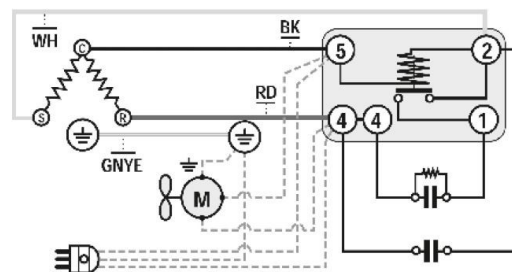
GENERAL DATA

Application:	LBP
Refrigerant:	R404A
Expansion Device:	C-V
Weight:	38.7 kg
Receiver:	2.3 liter
Voltage/Frequency:	220 - 240 V 50 ~
Height:	38.7 mm
Length:	481 mm
Width:	410 mm
Institute Approvals:	CE

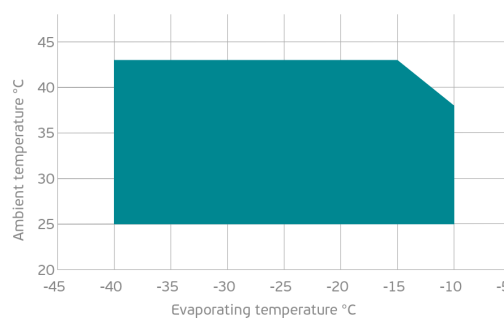
EXTERNAL DIMENSIONS



WIRING DIAGRAM



OPERATING ENVELOPE



COMPONENTS (SPARE PARTS)

condenser:	3R12T	2451140	valve_disch:	SOLDER 3/8"	2110049
fankit:	34W 275/31°/5B	1996583	valve_suca:	SOLDER 5/8"	2110054
compressor:	NJ2212GK	943DA19..AC	elkit:	ELKOM NJ2212GK	943DA1904A

For additional accessories please contact our technical support



MODEL **UNJ2212GK**

CODE **643TA5610AA**

embraco POWER IN. CHANGE ON.

ELECTRICAL DATA

Motor Type: CSR -
 Locked Rotor Amperage (RLA): 36 A
 Max.Current: 6.5 A

At maximum evaporating temperature and maximum ambient temperature.

FAN MOTOR

Number: 1 -
 Shaft Power: 34 W
 Air Flow: 800 m³/hod
 Blade Diameter: 275 mm

PERFORMANCE CURVE DATA

Standard: EN13215-RG20 / return gas 20°C, subcooling 3K

50 Hz

	Evaporating Temperature (°C)	Cooling Capacity (W)	Power Consumption (W)	Current Consumption (A)	Efficiency (W/W)
25°C Ambient Temperature	-10°C	2 621	1 752	8.64	1.50
	-15°C	2 260	1 532	7.64	1.48
	-20°C	1 926	1 335	6.75	1.44
	-25°C	1 617	1 161	5.98	1.39
	-30°C	1 329	1 010	5.33	1.32
	Rated point -35°C	1 061	883	4.80	1.20
	-40°C	808	777	4.39	1.04
32°C Ambient Temperature	-10°C	2 475	1 791	8.80	1.38
	-15°C	2 104	1 562	7.76	1.35
	-20°C	1 762	1 355	6.84	1.30
	-25°C	1 446	1 171	6.03	1.24
	-30°C	1 154	1 008	5.34	1.14
	Rated point -35°C	883	867	4.77	1.02
	-40°C	629	748	4.33	0.84
43°C Ambient Temperature	-15°C	1 721	1 644	8.15	1.05
	-20°C	1 426	1 423	7.14	1.00
	-25°C	1 159	1 222	6.24	0.95
	-30°C	920	1 041	5.46	0.88
	Rated point -35°C	704	880	4.79	0.80
	-40°C	509	737	4.23	0.69

